

Neo Modern

Close Coupled Toilet
CL26305-6DACTSG



FEATURES

- Dual Flush Wash Down
- Water Saving
- Concealed Trapway
- Slow Closing Seat & Cover

SPECIFICATIONS

- Flushing Type: Dual Flush 3 / 4.2 Litres per flush
- Push Button: Top push
- Outlet Type: P Trap & S Trap with Plastic Connector
- Bowl Shape: Elongated
- Rough in: S-trap 305mm, P-trap 190mm
- Overall Dimensions: W376mm x L710mm x H792mm
- Height to rim: 390mm
- Material: Vitreous China

COLOR AVAILABILITY

- White only(0)

INCLUDED COMPONENTS

- Slow Closing Seat & Cover
- Tank Fitting Set
- Connector
- L-Shape Floor Fixing
- Stop Valve
- Installation manual

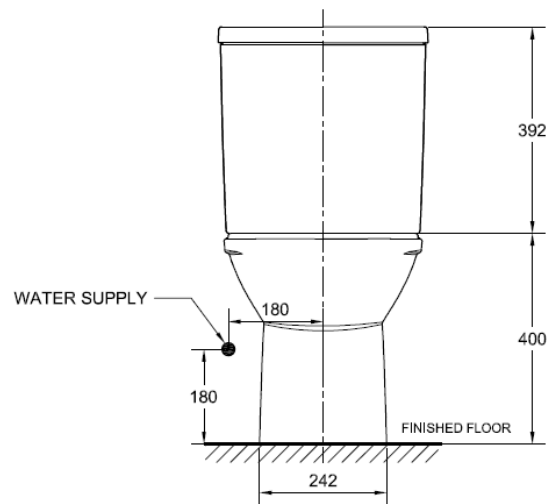
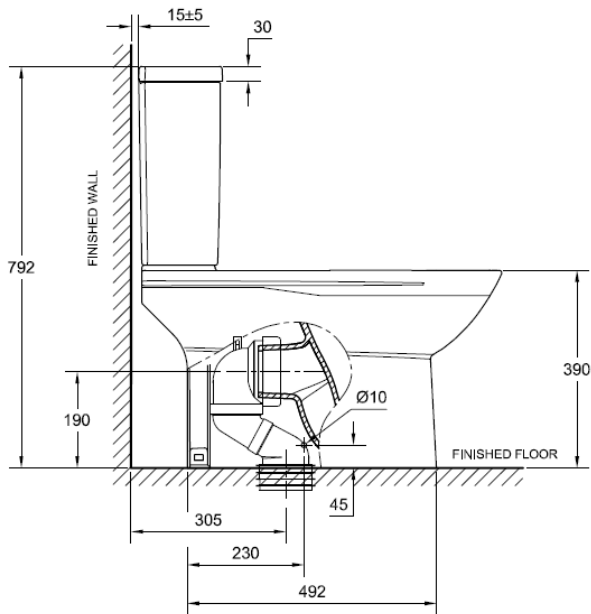
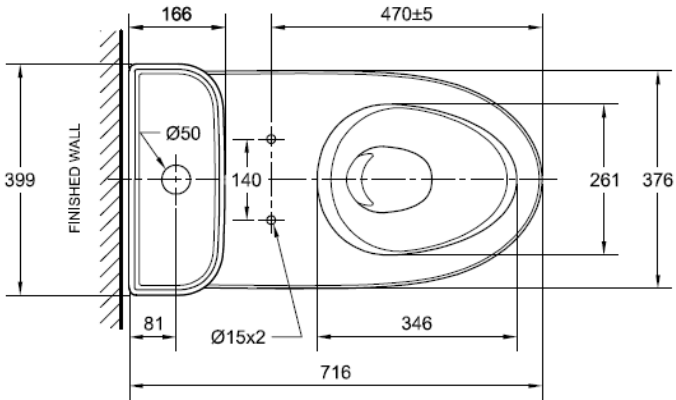
SHIPPING WEIGHT

- Net Weight: 47.67 KG
- Gross Weight: 51.87 KG

STANDARDS CRITERIA

- TIS-792:2554_2011
- PNS-993-2010
- MS 1522-2011
- SS 378-1996
- GB 6952-2005

DIMENSIONAL DRAWING



This document is the property of American Standard. It can neither be reproduced, nor communicated, without authorization.

American Standard reserves the right to change dimensions and specifications without notice; we assume no liability for the use of obsolete dimensions.